

Address :- Shop No. 17, Opp. Electric Crematorium, 66/74 Chandan Wadi, Marine Lines (E), Mumbai - 400002

Email :- vrajlink09@gmail.com

Contact :- 9223310978 / 9833935831

Website :- www.vrajlink.com

SIRCOVER

Manual transfer switching equipment
for source changeover applications
from 63 to 3200A

2021



When **energy** matters

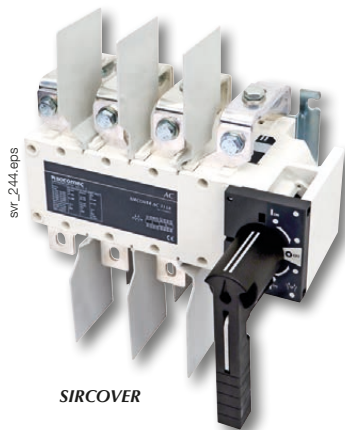
 **socomec**
Innovative Power Solutions



SIRCORDER

Manually operated transfer switching equipment
from 63 to 3200 A

Transfer switches



The solution for

- > Manufacturing
- > Power distribution



Strong points

- > High electrical performance
- > Easy to connect
- > Stable positions
- > On-load and isolation switching
- > High level of safety

Conformity to standards

- > IEC 60947-6-1
- > IS/IEC 60947-3



Approvals and certifications



Enclosed solutions

- > Adapted to harsh mechanical risk and dust hazards
- > Isolation and padlocking
- > Top and bottom extension boxes available
- > Colour: STR RAL 7035
- > Cable gland plates: top & bottom
- > Steel, thickness 1.2 to 2.0 mm
- > Coating: epoxy polyester powder
- > 4 wall mounting brackets provided
- > Door: solid with hinges
- > Metal cam lock



Function

SIRCORDER products are manually operated transfer switches with positive break indication. There are 2 ranges in the series:

- **SIRCORDER** for open transition switching (I-0-II) available in 4 poles.

For applications where both sources are synchronised and there is to be no interruption to the load supply during transfer.

- **SIRCORDER Bypass**. This combination of three interlocked load break switches provides 3+6 or 4+8 poles for bypass applications.

They provide on-load transfer between two sources for any low voltage power circuit, as well as safety isolation by double breaking per pole. Other applications include source inversion (e.g. to change the direction of a motor) or grounding/earthing.

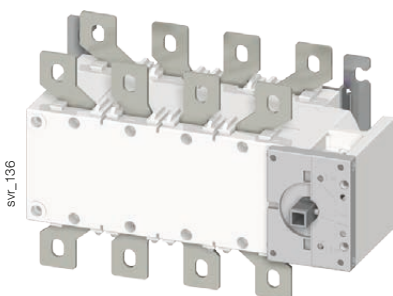
Advantages

High electrical performance

SIRCORDER is capable of switching all types of loads, without the need for a pre-breaking switch at the upstream. It is also compatible with motor and mixed loads up to utilisation category AC-33 at 415 VAC.

Easy to connect

Wider spearhead terminals for better clearance (up to B5 frame) enables easy termination of Aluminium cables / Busbars.



Stable positions

SIRCORDER devices have three stable positions, unaffected by voltage fluctuations and vibrations, protecting your loads from network disturbances.

On-load and isolation switching

With its AC-23 and AC-33 characteristics, tested according to standards IEC 60947-3 and IEC 60947-6-1, the SIRCORDER enables safe on-load switching for any type of load. With its on-load transfer capabilities, it is not necessary to isolate loads prior to transfer. Therefore the SIRCORDER offers an economical solution.

High level of safety

SIRCORDER is based on a reliable switching mechanism that is fully independent on the user operating speed that includes a fail-safe mechanical interlock for all 3 positions (for I-0-II versions). Moreover they provide I-0-II position indicators directly on the handle and mechanism.

References - SIRCOVER kit and enclosed solutions

SIRCOVER I-0-II

Rating (A) / Frame size	No. of poles	Kit 1 with direct handle ⁽¹⁾	Kit 2 with external handle ⁽²⁾	Enclosed solutions		
				Enclosure size	Enclosed switch	Top or bottom extension box ⁽⁵⁾
63 A / B2	4 P	41K1 4006A ⁽³⁾	41K2 4006A ⁽³⁾	Size 1	41E1 4006A	41E1 0001A
100 A / B2	4 P	41K1 4010A ⁽³⁾	41K2 4010A ⁽³⁾		41E1 4010A	
CD 125 A / B2	4 P	41K1 4011A ⁽³⁾	41K2 4011A ⁽³⁾		41E1 4011A	
125 A / B3	4 P	41G1 4013A	41G2 4013A	Size 2	41E1 4013A	41E1 0002A
160 A / B3	4 P	41G1 4016A	41G2 4016A		41E1 4016A	
200 A / B3	4 P	41G1 4020A	41G2 4020A		41E1 4020A	
250 A / B4	4 P	41G1 4025A	41G2 4025A	Size 3	41E1 4025A	41E1 0003A
315 A / B4	4 P	41G1 4031A	41G2 4031A		41E1 4031A	
400 A / B4	4 P	41G1 4040A	41G2 4040A	Size 4	41E1 4040A	41E1 0004A
630 A / B5	4 P	41G1 4063A	41G2 4063A	Size 5	41E1 4063A	41E1 0005A
CD 800 A / B5	4 P	41G1 4079A	41G2 4079A	Size 6	41E1 4080A	41E1 0006A
800 A / B6	4 P	41K1 4080A	41K2 4080A		41E1 4100A	
1000 A / B6	4 P	41K1 4100A	41K2 4100A		41E1 4120A	
1250 A / B6	4 P	41K1 4120A	41K2 4120A	Size 7	41E1 4160A	41E1 0007A
1600 A / B7	4 P	41K1 4160A	41K2 4160A		41E1 4200A	
2000 A / B8	4 P	41K1 4200A ⁽⁴⁾	41K2 4200A ⁽⁴⁾	Size 8	41E1 4250A	41E1 0008A
2500 A / B8	4 P	41K1 4250A ⁽⁴⁾	41K2 4250A ⁽⁴⁾		41E1 4320A	
3200 A / B8	4 P	41K1 4320A ⁽⁴⁾	41K2 4320A ⁽⁴⁾			

For 3 pole switch, please consult us.

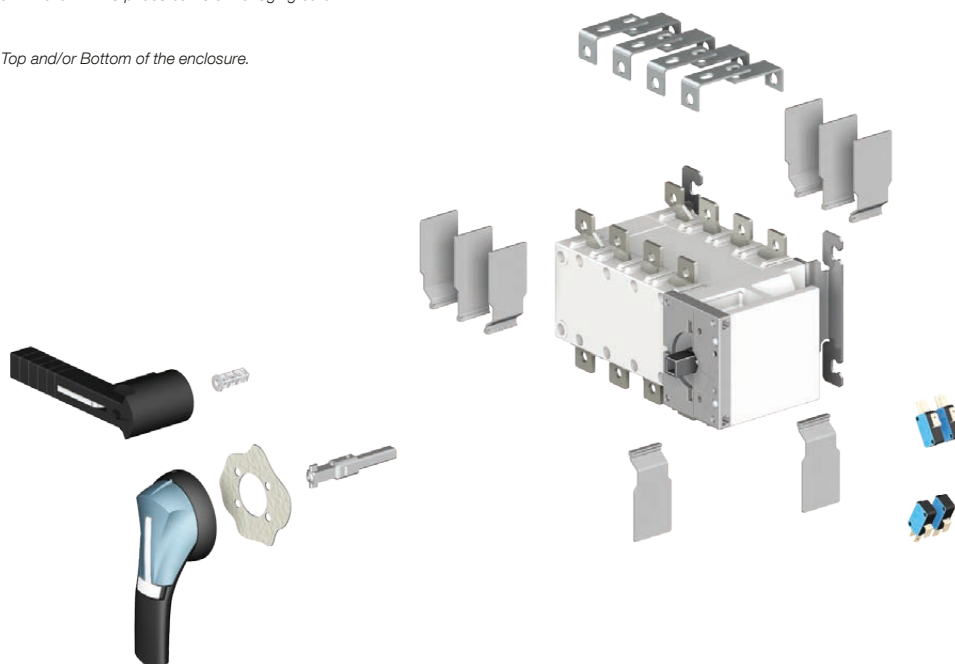
(1) Kit 1 includes: Switch body + direct handle + interphase barriers + bridging bars.

(2) Kit 2 includes Switch body + external handle + 200 mm shaft + interphase barriers + bridging bars.

(3) Without interphase barriers.

(4) Without bridging bars.

(5) Optional extension boxes may be attached to the Top and/or Bottom of the enclosure.



Also available⁽¹⁾

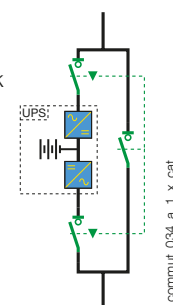
SIRCOVER I-I+II-II

From 125 to 1600 A: with these manual changeover switches you can transfer a normal source to a backup source without any interruption. All you have to do is ensure that both sources are synchronised.

(1) For any request on these ranges please consult us.

SIRCOVER Bypass

From 125 to 1600 A: with these manual changeover switches you can isolate then switch a backup power supply, such as a UPS, using 3 interlocking load break switches assembled into one very compact device. There are two bypass models, one with open transition switching and the other with contact overlapping.



svr_245_a.psd

commut_034_a_1_X_Cat

SIRCOVER

Manually operated transfer switching equipment
from 63 to 3200 A

References (continued)

SIRCOVER Bypass I-0-II

Rating (A) / Frame size	No. of poles	KIT 2 ⁽¹⁾	Auxiliary contact	Terminal shrouds	Terminal screens
125 A / B3	4 P	41K2 9013A	1 st /2 nd NO/NC contact 4109 0021 ⁽²⁾	2694 4014 ⁽³⁾⁽⁴⁾	1509 4012
160 A / B3	4 P	41K2 9016A			
200 A / B3	4 P	41K2 9019A		2694 4021 ⁽³⁾⁽⁴⁾	1509 4025
250 A / B4	4 P	41K2 9025A			
400 A / B4	4 P	41K2 9039A			
500 A / B5	4 P	41K2 9050A		2694 4051 ⁽³⁾⁽⁴⁾	1509 4063
630 A / B5	4 P	41K2 9063A			
800 A / B6	4 P	4100 9080			1509 4080
1250 A / B6	4 P	41K2 9120A			
1600 A / B7	4 P	41K2 9160A			

For 3 pole switch, please consult us.

(1) KIT 2 includes, Switch + External handle + shaft + Bridging bars & interphase barriers.

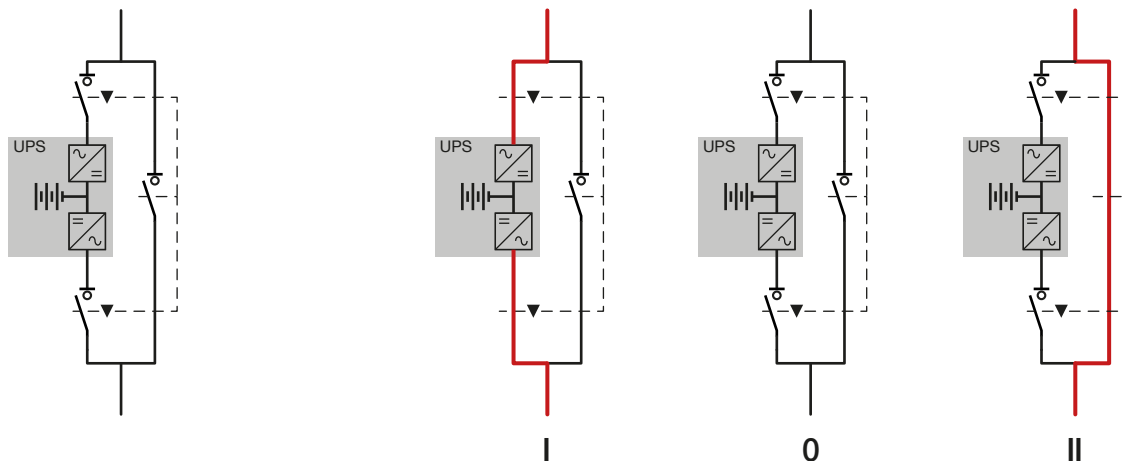
(2) 2 contacts supplied: one for position I and one for position II.

(3) To fully shroud the front and rear at the top and bottom, order quantity 6 (or 4 if using bridging bars).

(4) To shroud front switch top and bottom, order quantity 2.

Operating principle

SIRCOVER Bypass I-0-II



svr_227_a_1_X_cat.ai

Accessories

Handle

Rating	Frames	Direct Handle	External Handle
63 ... CD125A	B2	4299 0002A	-
125 ... 200A	B3	4199 5012A	1421 2113A
315 ... 400A	B4	4199 5012A	1421 2113A
500 ... CD 800A	B5	4199 5012A	1421 2113A
800 ... 1250A	B6	2799 7052A	1443 3113A
1600	B7	2799 7052A	1443 3113A
2000 ... 3200A	B8	2799 7012A	1453 8113A



Shaft for external operation

Use

Standard lengths:

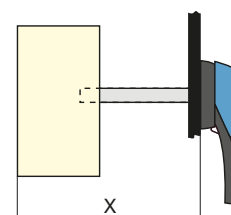
- 200 mm,
- 320 mm.

Other lengths available: consult us.

SIRCOVER I-0-II				
Rating (A)	Frame size	Length (mm)	Side X (mm)	Reference
125 ... 400	B3 ... B4	200	210 ... 310	1400 1021A
125 ... 400	B3 ... B4	320	210 ... 430	1400 1033A
500 ... 630	B5	200	280 ... 390	1400 1021A
500 ... 630	B5	320	280 ... 510	1400 1033A
800 ... 1600	B6 ... B7	200	425 ... 577	1401 1520A
800 ... 1600	B6 ... B7	320	425 ... 697	1401 1532A
2000 ... 3200	B8	200	653 ... 803	2799 3015A
2000 ... 3200	B8	320	653 ... 923	2799 3018A



SIRCOVER Bypass				
Rating (A)	Frame size	Length (mm)	Side X (mm)	Reference
125 ... 200	B3	200	320 ... 450	1400 1020A
125 ... 200	B3	320	320 ... 570	1400 1032A
250 ... 400	B4	200	298 ... 420	1401 1520A
250 ... 400	B4	320	298 ... 540	1401 1532A
500 ... 630	B5	200	417 ... 539	1401 1520A
500 ... 630	B5	320	417 ... 659	1401 1532A
800 ... 1600	B6 ... B7	200	550 ... 680	2799 3015A
800 ... 1600	B6 ... B7	320	550 ... 800	2799 3018A
800 ... 1600	B6 ... B7	450	550 ... 930	2799 3019A



Auxiliary contact

Use

Pre-breaking and signalling of positions I and II: 1 to 2 NO/NC auxiliary contacts in each position.

Low level AC: consult us.

Connection to the control circuit

By 6.35 mm fast-on terminal.

Characteristics

Rating (A)	Frame size	Nominal current (A)	Operating current I _o (A)				Electrical endurance
			250 VAC AC-13	400 VAC AC-13	24 VDC DC-13	48 VDC DC-13	
63 ... 125	B2	16	16 (EN 61058-1)	-	-	-	10 000
125 ... 3200	B3 ... B8	16	12	8	14	6	30 000

NO/NC changeover contact

Rating (A)	Frame size	Contact(s)	Reference
63 ... 125	B2	1 st / 2 nd	4209 1030A
125 ... 1600	B3 ... B7	1 st / 2 nd	4109 0021A
2000 ... 3200	B8	1 st / 2 nd	included



SIRCOVER

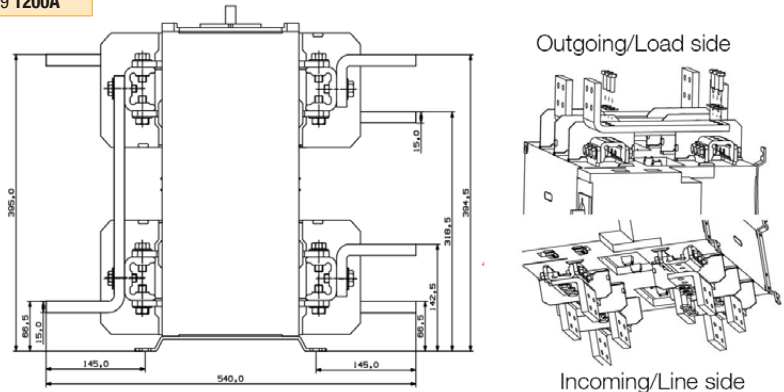
Manually operated transfer switching equipment
from 63 to 3200 A

Accessories (continued)

Bridging bars kit

For ratings 2000 to 2500 A

S.No	Description	Req. Qty / Switch	Reference
1	Bridging bar B3/4 P line side	1	2619 4251A
2	Bridging bar B8/4 P load side	1	4109 4250A
3	U bridge 1 P connector B8 CU	16	2619 1200A



For ratings 3200 A

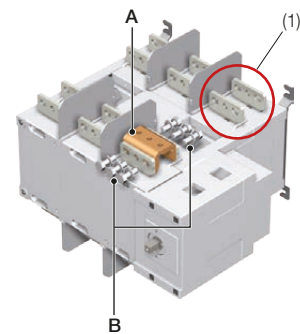
Enables:

- Flat connection: The connection pieces provide a link between the two power terminals of the same pole (Fig. 1).
- Edgewise connection: The connection pieces provide a link between the two power terminals of the same pole and an edgewise bar connection terminal.
- Top or bottom bridging between two poles (Fig. 3).

Once installed, the power terminal is connection ready

For 3200 A rating, connection pieces (part A) are supplied as standard. Bolt sets must be ordered separately.

Fig. 1



(1) Single pole connection: 1 pole (top or bottom) comprises two power terminals which are to be linked with the copper connection kit.

Fig. 2

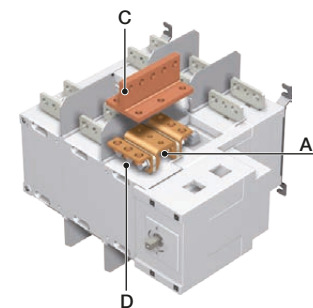
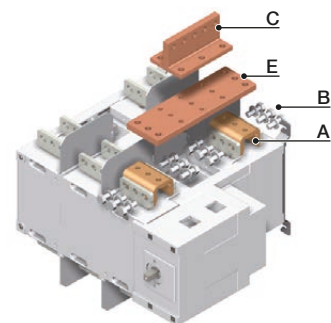


Fig. 3



Connection: The quantities given in the below table refer to the number of pieces required per pole, top or bottom.
Bridging connection: The quantities given refer to the number of pieces required to complete a single bridging connection between two poles.

	Reference	3200 A		
		Fig. 1	Fig. 2	Fig. 3
		Connection		Bridging connection I - II
Connection - part A	2619 1200A	included	included	included
Bolt kit 35 mm - part B	2699 1201A	1 ⁽¹⁾		2 ⁽²⁾
Bolt kit 45 mm - part B	2699 1200A	1 ⁽¹⁾		
T + Bolt kit - part C	2629 1200A		1	1
Bracket + Bolt kit - part D	2639 1200A		1	
Bar + Bolt kit - part E	4109 0320A			1

(1) Choose the bolt length according to the thickness of the bars being connected; if bar thickness is greater than 20 mm, 45 mm bolts are required.

(2) For bridging connections, quantity 2 pieces are required for creating the link between the two power terminals of the same pole for switch bodies I and II.

The Below items are required to order for one SIRCOVER Switch (3200A)

Part	Total quantity	Reference
Bolt kit 45 mm - part B	16	2699 1200
T + Bolt kit - part C	12	2629 1200
Bracket + Bolt kit - part D	8	2639 1200
Bar + Bolt kit - part E	4	4109 0320

Terminal screens

Rating (A) / Frame size	No. of poles	Position	Type of screens	Reference	
800 ... 1250 / B6	3 P		Standard	1509 3080A	
	4 P			1509 4080A	
	3 P		Wide	1509 3081A	
	4 P			1509 4081A	
1600 / B7	3 P		Standard	1509 3160A	
	4 P			1509 4160A	
2000 ... 3200 / B8	3 P				Included
	4 P				

Use

Upstream and downstream protection against direct contact with terminals or connection parts. In case of use of spreaders, use the wide screens. For upstream and downstream protection, order quantity one.



svr_206.eps

Retrofit solutions

Use

The new retrofit kit is designed to replace our Legacy product COS with new Sircover range.

- This kit includes:
- Interlock bracket
 - Interlock assembly
 - Label for door
 - Offset coupler
 - Coupler shaft
 - Associated screws

Old changeover switch	Retrofit Solutions	
	Switch Reference	Kit Reference
GC01 254POI	41G1 4013A	41RT 4020A
GC01 604POI	41G1 4016A	41RT 4020A
GC02 004POI	41G1 4020A	41RT 4020A
GC02 504POI	41G1 4025A	41RT 4031A
GC03 204POI	41G1 4031A	41RT 4031A
GC06 304POI	41G1 4063A	41RT 4061A



svr_241_a.psd

SIRCOVER

Manually operated transfer switching equipment
from 63 to 3200 A

Characteristics according to IEC 60947-3 and IEC 60947-6-1

63 to 400 A

Thermal current I th at 40°C	63 A	100 A	CD 125 A	125 A	160 A	200 A	250 A	315 A	400 A		
Frame size	B2	B2	B2	B3	B3	B3	B4	B4	B4		
Rated insulation voltage U _i (V)	800	800	800	800	800	800	1000	1000	1000		
Rated impulse withstand voltage U _{imp} (kV)	6	6	6	8	8	8	12	12	12		
Rated operational currents I _e (A) according to IEC 60947-6-1											
Rated voltage	Utilisation category		A/B ⁽¹⁾	A/B ⁽¹⁾	A/B ⁽¹⁾	A/B ⁽¹⁾	A/B ⁽¹⁾	A/B ⁽¹⁾	A/B ⁽¹⁾	A/B ⁽¹⁾	
415 VAC	AC-31 B		63	100	125	125	160	200	250	315	400
415 VAC	AC-32 B		63	80	80				200	315	400
415 VAC	AC-33 B							200	200	200	
Rated operational currents I _e (A) according to IEC 60947-3											
Rated voltage	Utilisation category		A/B ⁽¹⁾	A/B ⁽¹⁾	A/B ⁽¹⁾	A/B ⁽¹⁾	A/B ⁽¹⁾	A/B ⁽¹⁾	A/B ⁽¹⁾	A/B ⁽¹⁾	
415 VAC	AC-21 A / AC-21 B		63/63	100/100	100/125	125/125	160/160	200/200	250/250	315/315	400/400
415 VAC	AC-22 A / AC-22 B		63/63	100/100	100/125	125/125	160/160	200/200	250/250	315/315	400/400
415 VAC	AC-23 A / AC-23 B		-/63	-/63	-/63	125/125	125/125	125/125	200/200	315/315	400/400
500 VAC	AC-21 A / AC-21 B					125/125	160/160	200/200	250/250	315/315	400/400
500 VAC	AC-22 A / AC-22 B					125/125	160/160	200/200	200/250	200/315	200/400
500 VAC	AC-23 A / AC-23 B					80/80	80/80	80/80	200/200	200/200	200/200
690 VAC ⁽³⁾	AC-21 A / AC-21 B					125/125	160/160	200/200	200/200	200/200	200/200
690 VAC ⁽³⁾	AC-22 A / AC-22 B					125/125	125/125	125/125	160/160	160/160	160/160
690 VAC ⁽³⁾	AC-23 A / AC-23 B					63/80	63/80	63/80	125/125	125/125	125/125
220 VDC	DC-21 A / DC-21 B					125/125	160/160	200/200	250/250	250/250	250/250
220 VDC	DC-22 A / DC-22 B					125/125	160/160	200/200	250/250	250/250	250/250
220 VDC	DC-23 A / DC-23 B					125/125	125/125	125/125	200/200	200/200	200/200
440 VDC ⁽²⁾	DC-21 A / DC-21 B					125/125	125/125	125/125	200/200	200/200	200/200
440 VDC ⁽²⁾	DC-22 A / DC-22 B					125/125	125/125	125/125	200/200	200/200	200/200
440 VDC ⁽²⁾	DC-23 A / DC-23 B					125/125	125/125	125/125	200/200	200/200	200/200
Operation power in AC-23 (kW) ⁽⁴⁾											
At 415 VAC without AC pre-break	30	30	30	58	75	100	100	145	190		
At 690 VAC without AC pre-break				50/62	50/62	50/62	90/90	90/90	90/90		
Reactive power (kvar) ⁽⁴⁾											
At 415 VAC (kvar)	30	30	30	60	75	100	125	150	200		
Fuse protected short-circuit withstand as per IEC 60947-3 (kA rms prospective)											
Prospective short-circuit current with gG DIN fuses at 415 VAC (kA rms)	50	25	15	100	100	50	50	50	50		
Prospective short-circuit current with gG DIN fuses at 690 VAC (kA rms)							50	50	50		
Associated fuse rating (A)	63	100	125	125	160	200	250	315	400		
Short-circuit withstand without protection as per IEC 60947-3											
Rated short-time withstand current 0.3s I _{cw} at 415 VAC (kA rms)	3.5	3.5	3.5	12	12	12	15 ⁽⁵⁾	15 ⁽⁵⁾	15 ⁽⁵⁾		
Rated short-time withstand current 1s I _{cw} at 415 VAC (kA rms)	2.5	2.5	2.5	7	7	7	8 ⁽⁵⁾	8 ⁽⁵⁾	8 ⁽⁵⁾		
Rated peak withstand current at 415 VAC (kA peak)	15	15	15	20	20	20	30	30	30		
Short-circuit withstand without protection as per IEC 60947-6-1											
Rated short-time withstand current 30 ms I _{cw} at 415 VAC (kA rms)	5	5	5	10	10	10	10	10	10		
Connection											
Minimum Cu cable cross-section (mm ²)	10	10	10	35	35	50	95	120	185		
Recommended Al cable cross-section (mm ²)	35	50	50	70	95	150	185	240	300		
Recommended Al busbar cross-section (mm ²)				20x8	20x8	25x10	25x10	40x10	40x12		
Maximum Cu cable cross-section (mm ²)	50	50	50	50/70	95	120/150	150/185	240	240/300		
Maximum busbar width (mm)				25	25	25	40	40	50		
Tightening torque min/max (Nm)	1.2/3	1.2/3	1.2/3	9/13	9/13	9/13	20/26	20/26	20/26		
Mechanical characteristics											
Durability (number of operating cycles)	25000	25000	25000	10000	10000	10000	8000	8000	5000		
Weight of a 3 pole device with no accessories (kg)				2.9	2.9	2.9	3.8	3.9	3.9		
Weight of a 4 pole device with no accessories (kg)				4.1	4.1	4.1	4.6	4.6	4.6		

(1) Category with index A = frequent operation - Category with index B = infrequent operation.

(2) 3-pole device with 2 pole in series for the "+" an 1 pole for the "-".

4-pole device with 2 poles in series by polarity.

(3) Interphase barriers must be installed on the products.

(4) The power value is given for information only, the current values vary from one manufacturer to another.

(5) Values given at 690 VAC.

Characteristics according to IEC 60947-3 and IEC 60947-6-1

500 to 3200 A

Thermal current I th at 40°C	630 A	CD 800	800 A	1000 A	1250 A	1600 A	2000 A	2500 A	3200 A		
Frame size	B5	B5	B6	B6	B6	B7	B8	B8	B8		
Rated insulation voltage U _i (V)	1000	1000	1000	1000	1000	1000	1000	1000	1000		
Rated impulse withstand voltage U _{imp} (kV)	12	12	12	12	12	12	12	12	12		
Rated operational currents I _e (A) according to IEC 60947-6-1											
Rated voltage	Utilisation category		A/B ⁽¹⁾	A/B ⁽¹⁾	A/B ⁽¹⁾	A/B ⁽¹⁾	A/B ⁽¹⁾	A/B ⁽¹⁾	A/B ⁽¹⁾	A/B ⁽¹⁾	
415 VAC	AC-31 B		630	800	800	1000	1250	1600	2000	2500	3200
415 VAC	AC-32 B		500	500	800	1000	1250	1250	2000	2000	2000
415 VAC	AC-33 B		400	400	800	1000	1000	1000	1250	1250	1250
Rated operational currents I _e (A) according to IEC 60947-3											
Rated voltage	Utilisation category		A/B ⁽¹⁾	A/B ⁽¹⁾	A/B ⁽¹⁾	A/B ⁽¹⁾	A/B ⁽¹⁾	A/B ⁽¹⁾	A/B ⁽¹⁾	A/B ⁽¹⁾	
415 VAC	AC-21 A / AC-21 B		630/630	800/800	800/800	1000/1000	1250/1250	1600/1600	-/2000	-/2500	-/3200
415 VAC	AC-22 A / AC-22 B		630/630	800/800	800/800	1000/1000	1250/1250	1600/1600	-/2000	-/2500	-/3200
415 VAC	AC-23 A / AC-23 B		500/630	500/800	800/800	1000/1000	1250/1250	1250/1250	-/1600	-/1600	-/1600
500 VAC	AC-21 A / AC-21 B		630/630	800/800	800/800	1000/1000	1250/1250	1600/1600	-/2000	-/2000	-/2000
500 VAC	AC-22 A / AC-22 B		500/500	500/500	630/630	800/800	1000/1000	1600/1600			
500 VAC	AC-23 A / AC-23 B		400/400	400/400	630/630	630/630	800/800	1000/1000			
690 VAC ⁽³⁾	AC-21 A / AC-21 B		500/500	500/500	800/800	1000/1000	1250/1250	1600/1600	-/2000	-/2000	-/2000
690 VAC ⁽³⁾	AC-22 A / AC-22 B		400/400	400/400	630/630	800/800	1000/1000	1000/1000			
690 VAC ⁽³⁾	AC-23 A / AC-23 B		400/400	400/400	630/630	630/630	800/800	800/800			
220 VDC	DC-21 A / DC-21 B		630/630	800/800	800/800	1000/1000	1250/1250	1250/1250			
220 VDC	DC-22 A / DC-22 B		630/630	800/800	800/800	1000/1000	1250/1250	1250/1250			
220 VDC	DC-23 A / DC-23 B		630/630	800/800	800/800	1000/1000	1250/1250	1250/1250			
440 VDC ⁽²⁾	DC-21 A / DC-21 B		630/630	800/800	800/800	1000/1000	1250/1250	1250/1250			
440 VDC ⁽²⁾	DC-22 A / DC-22 B		630/630	800/800	800/800	1000/1000	1250/1250	1250/1250			
440 VDC ⁽²⁾	DC-23 A / DC-23 B		630/630	800/800	800/800	1000/1000	1250/1250	1250/1250			
Operation power in AC-23 (kW) ⁽⁴⁾											
At 415 VAC without AC pre-break	235/280	235/280	375/375	450/450	560/560	560/560	-/710	-/710	-/710		
At 690 VAC without AC pre-break	310/310	310/310	475/475	475/475	620/620	620/620					
Reactive power (kvar) ⁽⁴⁾											
At 415 VAC (kvar)	250/300		400/400	500/500	650/650	650/650	-/850	-/850	-/850		
Fuse protected short-circuit withstand as per IEC 60947-3 (kA rms prospective)											
Prospective short-circuit current with gG DIN fuses at 415 VAC (kA rms)	50		50	50	100	100					
Prospective short-circuit current with gG DIN fuses at 690 VAC (kA rms)	50		50	50	50						
Associated fuse rating (A)	630		800	1000	1250	2x800					
Short-circuit withstand without protection as per IEC 60947-3											
Rated short-time withstand current 0.3s I _{sw} at 415 VAC (kA rms)	17 ⁽⁵⁾		64	64	64	78	78	78	78		
Rated short-time withstand current 1s I _{sw} at 415 VAC (kA rms)	10 ⁽⁵⁾		35	35	35	50	50	50	50		
Rated peak withstand current at 415 VAC (kA peak)	45		55	55	80	110	120	120	120		
Short-circuit withstand without protection as per IEC 60947-6-1											
Rated short-time withstand current 60 ms I _{sw} at 415 VAC (kA rms)	12.6		20	20	25	32	50	50	50		
Connection											
Minimum Cu cable cross-section (mm ²)	2x120		2x185								
Recommended Cu busbar cross-section (mm ²)	2x300		2x50x5	2x63x5	2x60x7	2x100x5	3x100x5	2x100x10	3x100x10		
Recommended Al busbar cross-section (mm ²)	2x50x10		2x50x10	2x60x10	2x75x10	2x100x10	3x80x10	3x100x10	4x100x10		
Maximum Cu cable cross-section (mm ²)	2x300		2x300	4x185	4x185	6x185					
Maximum busbar width (mm)	60		63	63	63	63	100	100	100		
Tightening torque min/max (Nm)	20/26		20/26	20/26	20/26	40/45	40/45	40/45	40/45		
Mechanical characteristics											
Durability (number of operating cycles)	5000		4000	4000	4000	3000	3000	3000	3000		
Weight of a 3 pole device with no accessories (kg)	9.1		20.5	21	21.6	25.7	42	42	52.3		
Weight of a 4 pole device with no accessories (kg)	11.1		24.8	25.6	25.6	32	52.9	52.9	66.6		

(1) Category with index A = frequent operation - Category with index B = infrequent operation.

(2) 3-pole device with 2 pole in series for the "+" an 1 pole for the "-".

4-pole device with 2 poles in series by polarity.

(3) Interphase barriers must be installed on the products.

(4) The power value is given for information only, the current values vary from one manufacturer to another.

(5) Values given at 690 VAC.

SIRCOVER

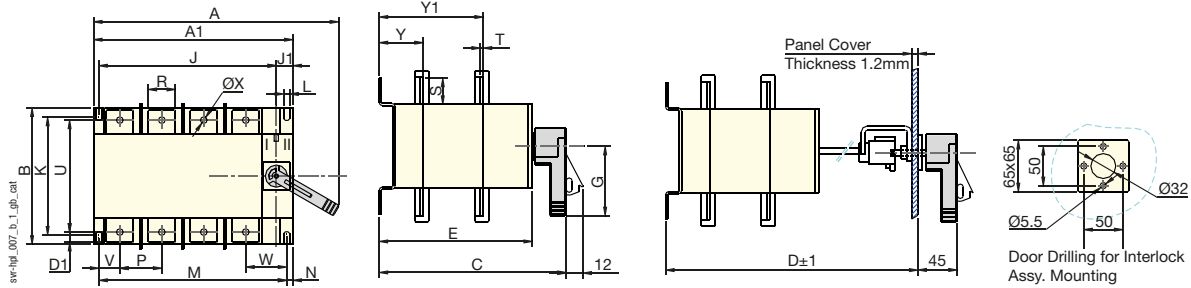
Manually operated transfer switching equipment
from 63 to 3200 A

Dimensions

63 to 125 A / B2

Direct front operation

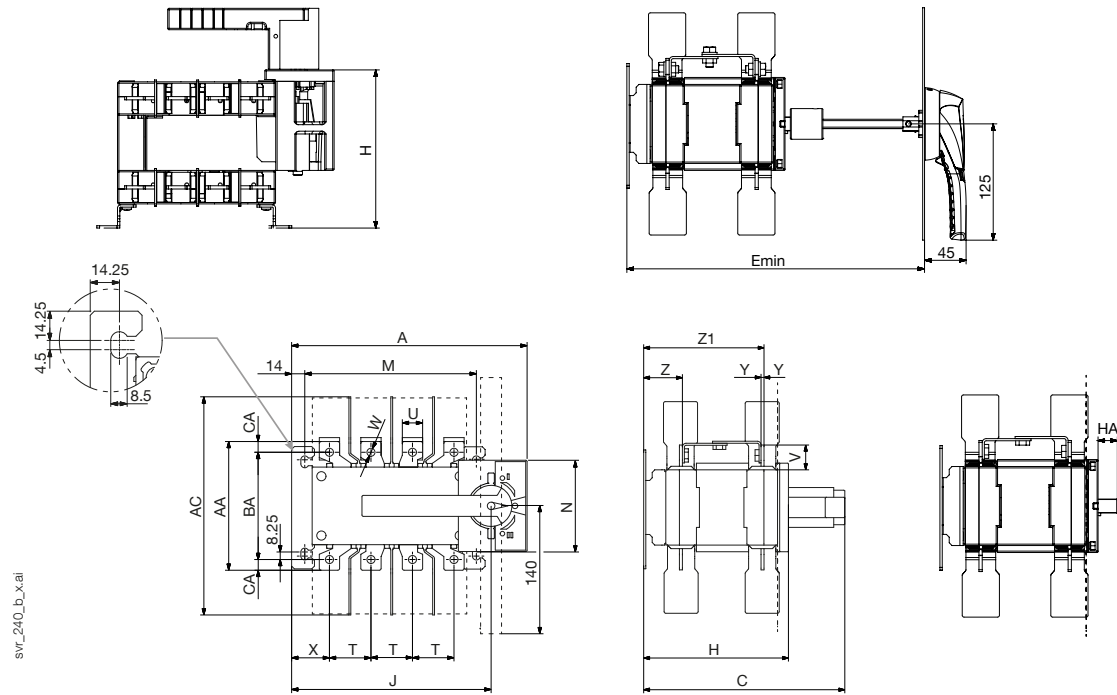
External front operation



Rating (A)/ Frame size	Dimensions										Fixing of Sw.					Connection terminal						Sw. Wt. Open Ex. (kg)			
	A	A1	B	C	D	D1	E	G	J	J1	K	L	M	N	P	R	S	T	U	V	W		ØX	Y	Y1
4 x 63 ... 125 / B2	181	141.5	111	168.5	192	44	127	62	116	18	95	6.5	127	6.25	27	14	16	2.6	91	11	35	6.5	45	101	2

Direct front operation

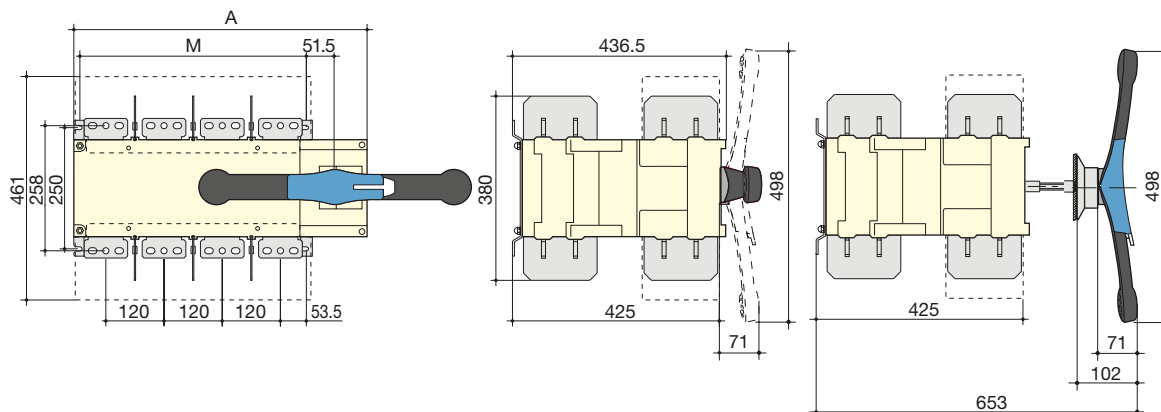
External front operation



Rating	Overall dimension		Terminal shrouds/ phase barrier	Switch body			Switch mounting			Connection										
	A	C		H	HA	J	M	N	T	U	V (V1)	W	X	Y	Z	Z1	AA	BA	CA	Emin
125 / B3	255	236	239	170	22	216	186	101	45	22	28	9	41	3.5	45.5	141.4	141	117.5	11.75	257.5
160 / B3	255	236	239	170	22	216	186	101	48	25	35	9	36.5	3.5	45.5	141.4	155	124	15.5	257.5
200 / B3	255	236	239	170	22	216	186	101	48	25	35	9	36.5	3.5	45.5	141.4	155	124	15.5	257.5
250 / B4	316	237	356	170.5	22	277	246	116	64	32	46	11	44	3.5	47	141	192	152	20	258
315 / B4	316	237	356	170.5	22	277	246	116	64	32	46	11	44	3.5	47	141	192	152	20	258
400 / B4	316	237	356	170.5	22	277	246	116	65	40	56.5	11	42.5	3.5	47	141	213	170	21.5	258
500 / B5	383	314	421	248	22	336	306	176	81	55	55	12.7	46	4.8	61	198	270	230	20	335.5
630...CD 800 / B5	383	314	421	248	22	336	306	176	81	55	55	12.7	46	4.8	61	198	270	230	20	335.5
800 / B6	466	375	459	303	24	399	336	250	80	50	60.5	15	48	7	67.5	253.5	321		26.5	425 ... 577
1000 / B6	466	375	459	303	24	399	336	250	80	50	60.5	15	48	7	67.5	253.5	321		26.5	425 ... 577
1250 / B6	466	375	459	303	24	399	336	250	80	60	65	16x11	48	7	67.5	255.5	330		29.5	425 ... 577
1600 / B7	598	375	461	303	24	531	467	250	120	90	43.5	12.5x5	54	8	67.5	255.5	288		15	425 ... 577

2000 to 3200 A / B8

Direct front operation



svr_150_a_1_x_cat

Rating (A) / Frame size	Overall dimensions		Switch mounting	
	A 3p.	A 4p.	M 3p.	M 4p.
2000 ... 3200 / B8	478	598	347	467

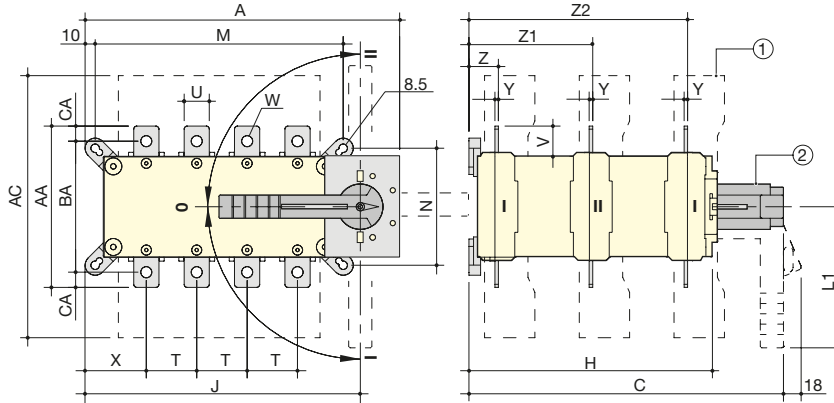
SIRCOVER

Manually operated transfer switching equipment
from 63 to 3200 A

Dimensions (continued)

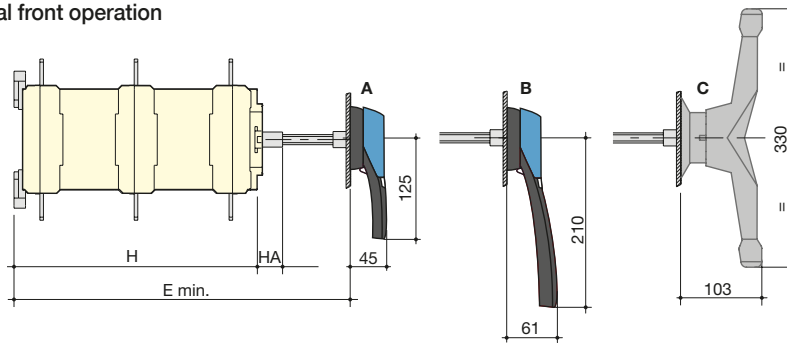
SIRCOVER Bypass 125 to 1600 A / B3 to B7

Direct front operation



External front operation

sw_070.L.1_x_cat



A. S2 type handle for external operation: 125 to 200 A
B. S3 type handle for external operation: 250 to 630 A
C. External double lever handle: 800 to 1600 A

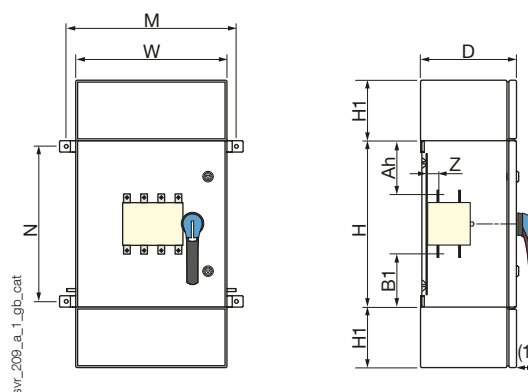
1. Terminal shrouds
2. Direct operation handle:
- 125 to 200 A: L1 = 140 mm,
- 250 to 630 A: L1 = 210 mm,
- 800 to 1600 A: L1 = diameter 330 mm.

Rating (A) / Frame size	Overall dimensions			Terminal shrouds	Switch body			Switch mounting			Connection										
	A 4+8p.	C	E min	AC	H	HA	J 4+8p.	M 4+8p.	N	T	U	V	W	X 4+8p.	Y	Z	Z1	Z2	AA	BA	AC
125 / B3	251	313	320	235	243	25	212	186	101	36	20	25	8.5	50	3.5	28	124	219	135	115	10
160 / B3	251	313	320	235	243	25	212	186	101	36	20	25	8.5	50	3.5	28	124	219	135	115	10
200 / B3	251	313	320	235	243	25	212	186	101	36	20	25	8.5	50	3.5	28	124	219	135	115	10
250 / B4	312	313	298	280	243	25	273	246	116	50	25	30	11	61	3.5	30	124	219	160	130	10
400 / B4	312	313	298	280	243	25	273	246	116	50	35	35	11	61	3.5	30	124	219	170	140	15
500 / B5	379	432	417	401	362	25	332	306	176	65	32	37	13	65.5	5	43	180	317	235	205	15
630 / B5	379	432	417	400	362	25	332	306	176	65	45	50	13	65.5	5	43	180	317	260	220	20
800 / B6	466	560	550	459	479	29	386.5	335	250	80	50	60.5	15	48	7	66.5	253.5	439.5	321		26.5
1250 / B6	466	560	550	459	479	29	386.5	335	250	80	60	65	16x11	48	7	66.5	253.5	439.5	320		29.25
1600 / B7	598	560	550	461	479	29	518.5	467	250	120	90	43.5	12.5x5	54	8	66.5	253.5	439.5	288		15

Enclosed Sircover Dimensions

Rating (A) / Enclosure size	H x W x D (mm)	M (mm)	N (mm)	Z (mm)	Ah (mm)	B1 (mm)	H1 (mm)
63 / Size 1	250 x 300 x 205	350	210	44.5	87.75	87.75	100
125 ... 200 / Size 2	350 x 350 x 250	400	310	45.4	115	115	150
250 ... 315 / Size 3	450 x 400 x 250	450	410	46.8	160	160	150
400 / Size 4	600 x 400 x 300	450	560	46.8	230	230	150
500 ... 630 / Size 5	600 x 500 x 330	550	560	61	190	190	200
800 ... 1000 / Size 6	700 x 700 x 500	750	660	136.5	215	215	250
1250 ... 1600 / Size 7	800 x 750 x 500	800	760	162	265	265	300
2000 ... 3200 / Size 8	1000 x 830 x 600	880	960	-	370	370	300

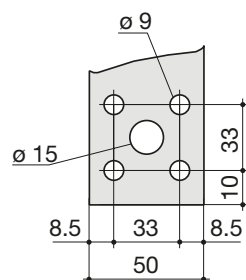
Drawings as shown include the optional top and bottom extension boxes (WxH1).



(1) 125 ... 630 A: 58 mm
800 ... 1 600 A: 74 mm.

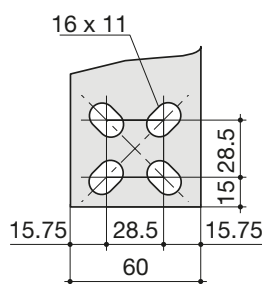
Connection terminals

800 to 1000 A / B6



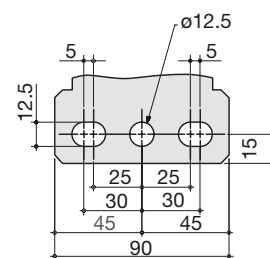
svr_077_a_1_x_cat

1250 A / B6



svr_078_b_1_x_cat

1600 to 3200 A / B7 to B8



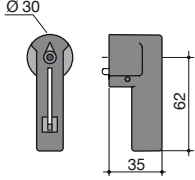
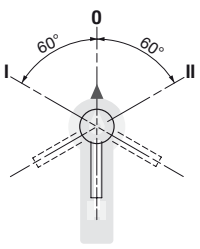
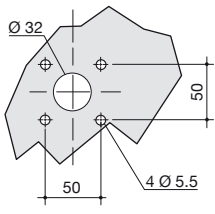
svr_098_a_1_x_cat

SIRCOVER

Manually operated transfer switching equipment
from 63 to 3200 A

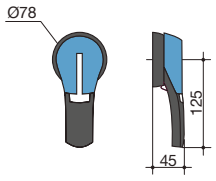
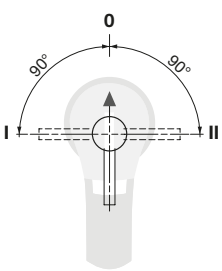
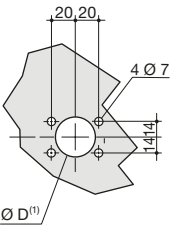
Dimensions for external handles

63 to 125 A / B2

Handle type	Front operation Direction of operation	Door drilling
SH0 type 		

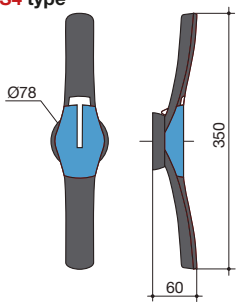
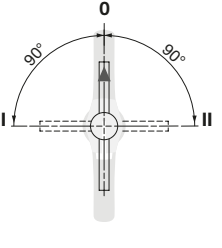
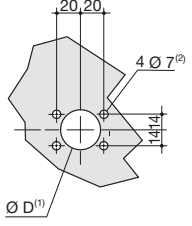
poign_030_a_1_gb_cat

125 to 630 A / B3 to B5

Handle type	Front operation Direction of operation	Door drilling
S2 type 		

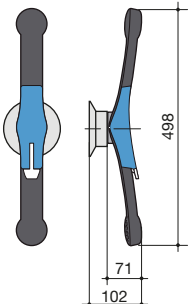
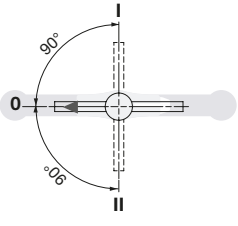
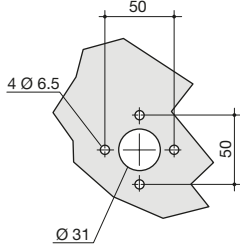
poign_030_a_1_gb_cat

800 to 1600 A / B6 to B7

Handle type	Front operation Direction of operation	Door drilling
S4 type 		

poign_031_a_1_gb_cat

2000 to 3200 A / B8

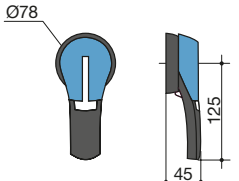
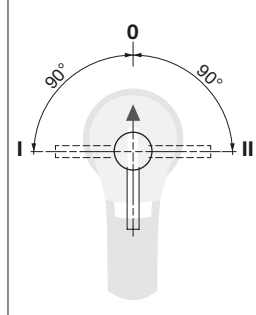
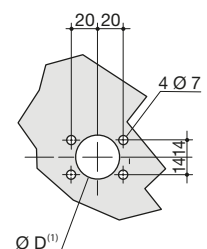
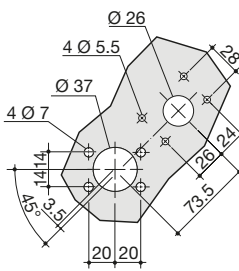
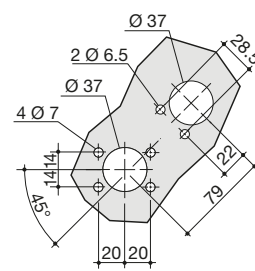
Handle type	Front operation Direction of operation	Door drilling
S5 type with V Escutcheon 		

poign_023_a_1_gb_cat

(1) Ø 31 to Ø 37: rear screw mounting, Ø 37: front clip mounting.

(2) Ø 6 to Ø 7: clip mounting.

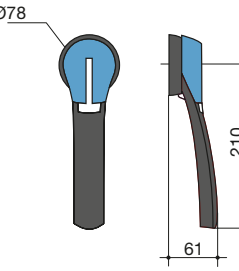
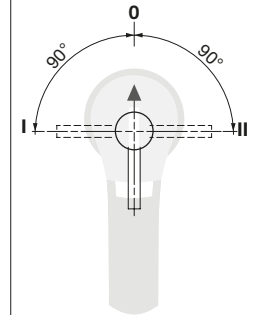
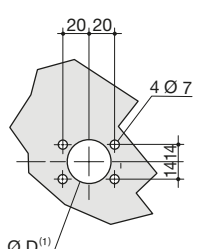
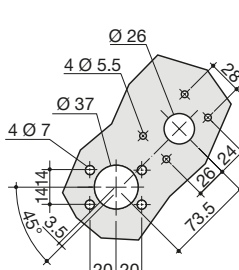
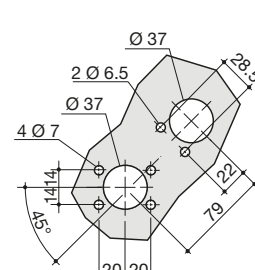
SIRCOVER Bypass 125 to 200 A / B3

Handle type	Front operation Direction of operation	Door drilling	
S2 type 			<div style="display: flex; justify-content: space-around;"> <div> With lock RONIS EL11AP  </div> <div> With lock CASTELL K  </div> </div>

(1) Ø31 to Ø37: rear screw mounting,
Ø37: front clip mounting.

poign_032_a_1_gb_cat

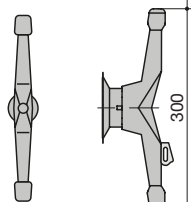
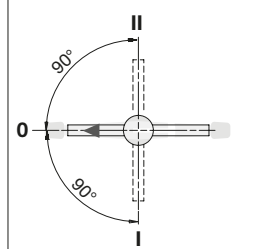
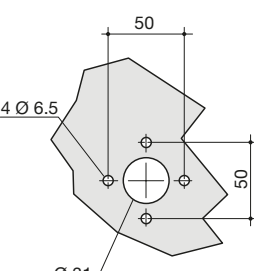
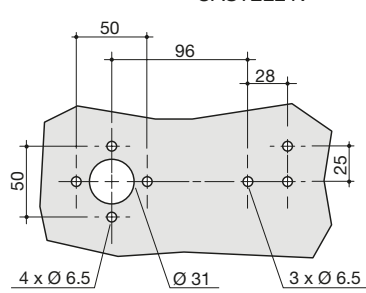
SIRCOVER Bypass 250 to 630 A / B4 to B5

Handle type	Front operation Direction of operation	Door drilling	
S3 type 			<div style="display: flex; justify-content: space-around;"> <div> With lock RONIS EL11AP  </div> <div> With lock CASTELL K  </div> </div>

(1) Ø31 to Ø37: rear screw mounting,
Ø37: front clip mounting.

poign_033_a_1_gb_cat

SIRCOVER Bypass 800 to 1600 A / B6 to B7

Handle type	Front operation Direction of operation	Door drilling	
C type 			With lock CASTELL K 

poign_022_a_1_gb_cat